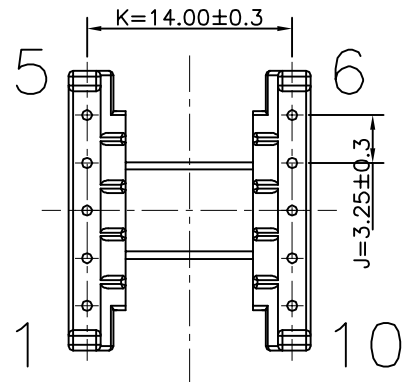
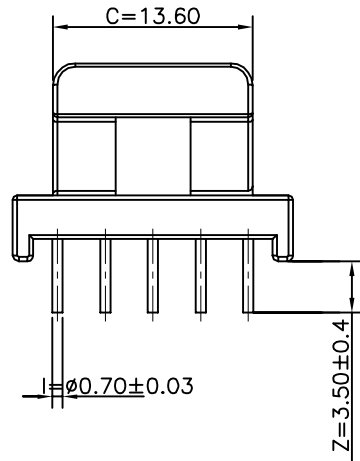
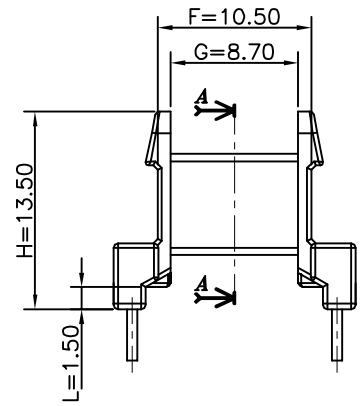


SECTION A-A



▲							
▲							
▲							
▲							
MARK	REVISION NOTE			DATE	DRAWN	CHECKED	APPROVED
DRAWN	CHECKED	APPROVED	MATERIAL : PHENOL	UL REC. : UL94V-0	THIRD ANGLE PROJ.	SCALE : 2/1	
Min Ah, Cho	SH, Kim	C, Park	Z : PIN LENGTH (According to customer's request)	DATE : 2003.09.05	TOLERANCE : ±0.2 (Unless otherwise specified)	UNIT : m/m	
주식회사 대흥보빈 DAE HEUNG BOBBIN CO., LTD				TITLE EE 19*16 (10P) "H"		DWG NO DH-030905-2012-04	